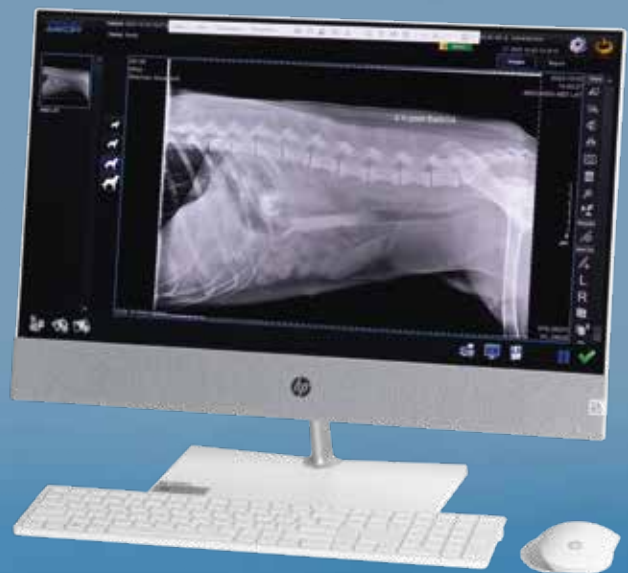


SolidDR™ CX

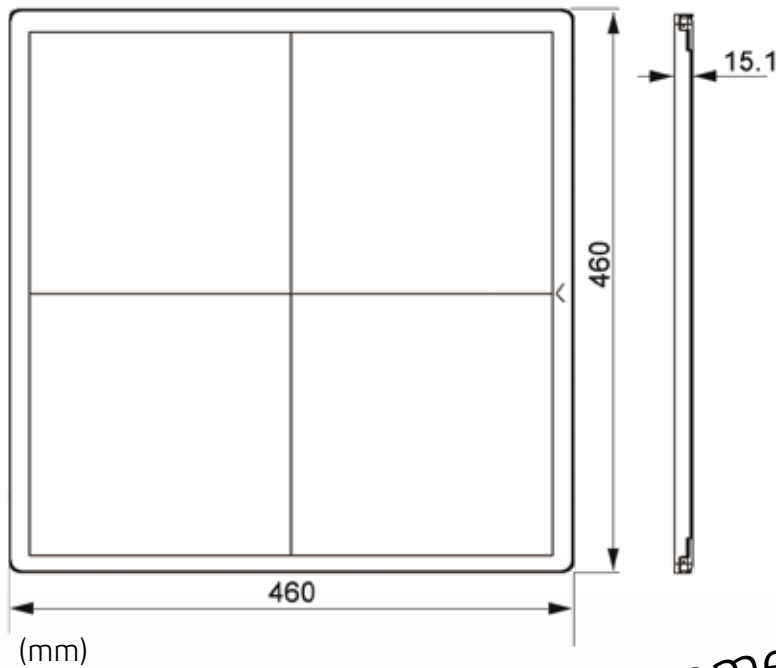


High Quality Full Size
Digital X-Ray Imaging



SolidDR 43x43 Technical Specifications

Detector Technology	Amorphous Silicon
Scintillator	CsI (Directly Deposit)
Active Area	43 x 43 cm
Pixel Pitch	139 μm / 3.6 μm /mm
Automatic Grid Function	Implemented Software Artificial Grid
Preview	3s
Full image	5s
AD Conversion	16 bit
Data Interface/Detector Control	GigaEthernet
Trigger Mode	Auto exposure detection
Limiting Resolution	3.6 lp/mm
Operating Temperature	5 ~ 30°C
Storage Temperature	-10 ~ 55°C
Operating Humidity	30~ 80%
Storage Humidity	10~ 90%
Dimension	460 x 460 x 15.1 mm
Weight	4 kg
Power Consumption	Max.30W (Full performance)
Adapter	AC input: 110 ~ 240V, 50 ~ 60Hz



Now with exposure parameter control

