
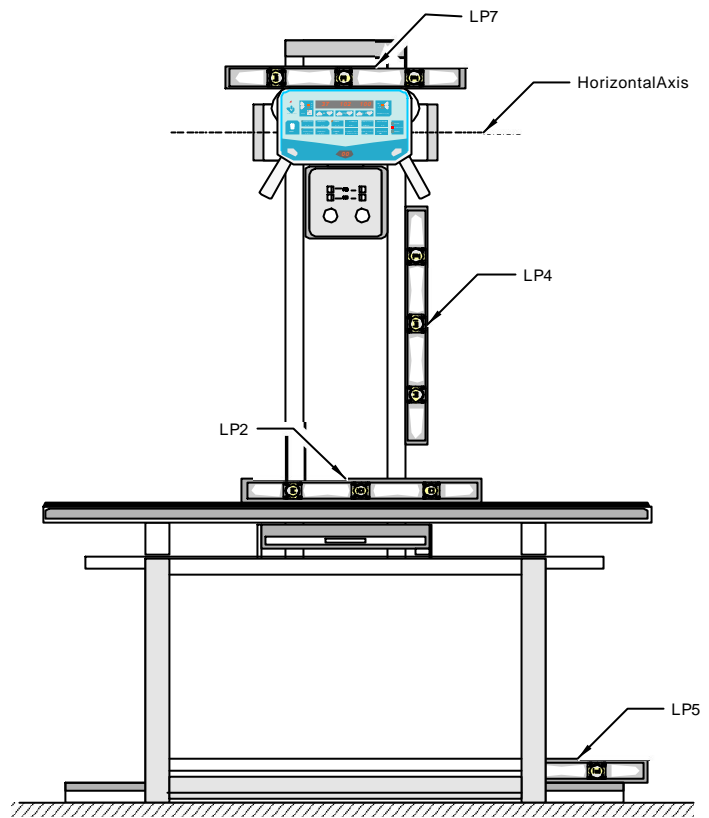
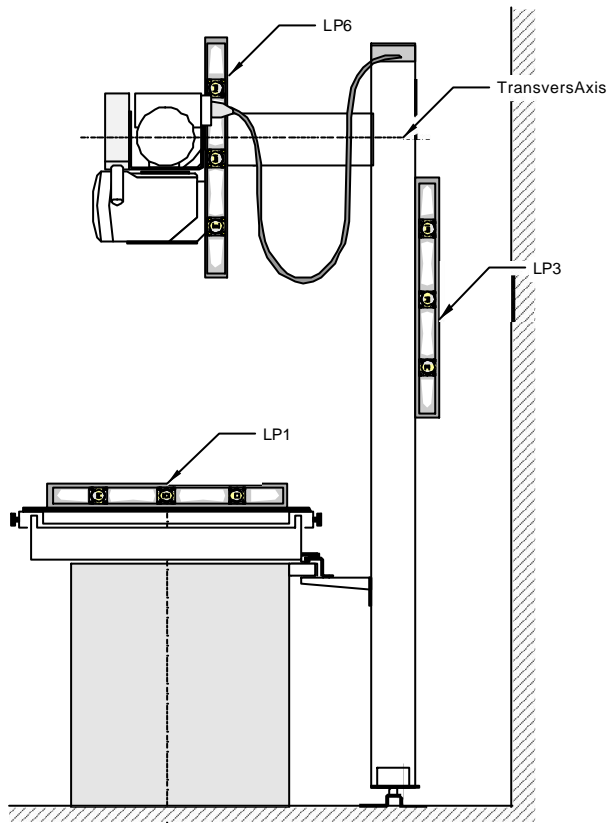

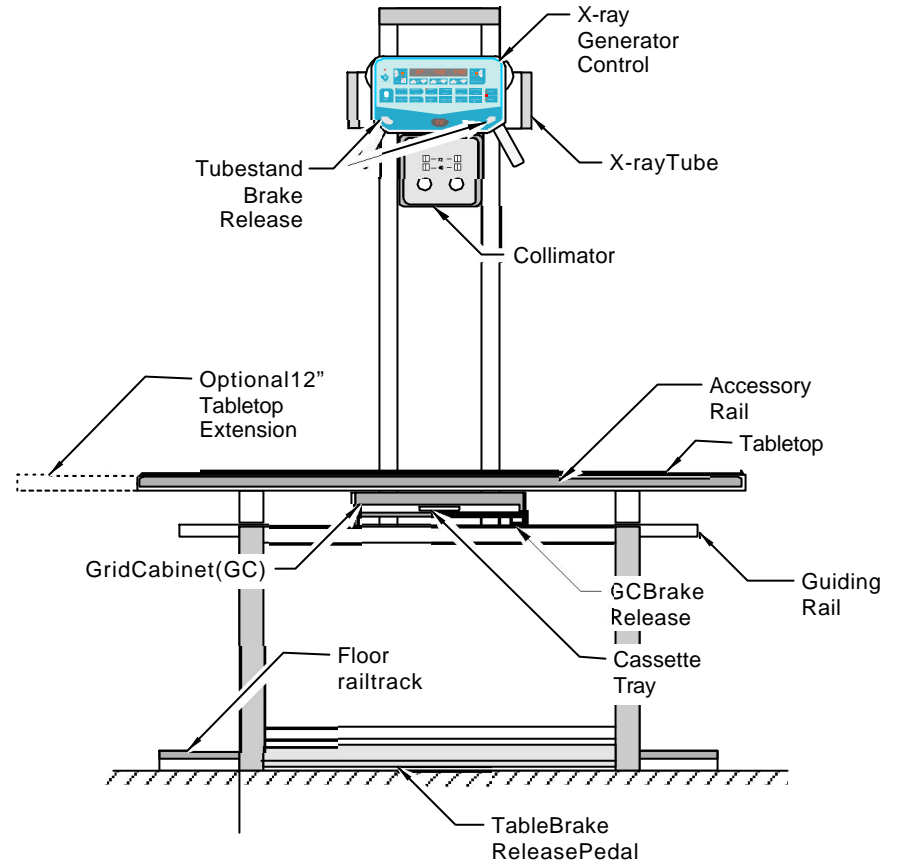
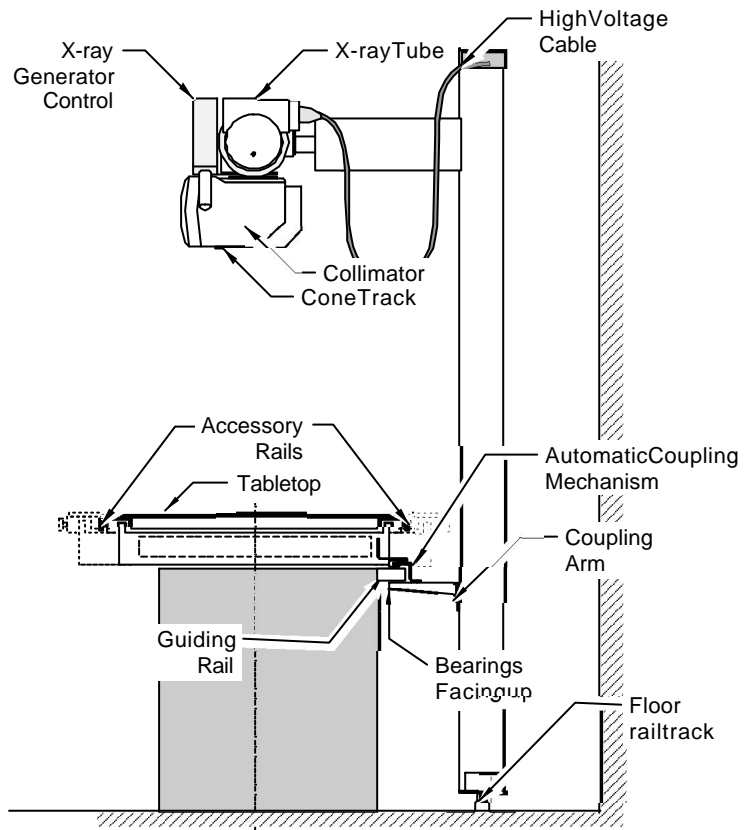



mm	inch
2225	87.6
1985	78.1
1525	60.0
1400	55.1
1000	39.4
860	33.9
815	32.0
730	28.7
720	28.2
620	24.4
560	22.0
550	21.7
350	13.8
250	9.84
100	3.94

Designer	L.Adrovitz	Title ZMX^{WHT} Dimensional Drawing		Doc.Number			
Drawn by	L.Adrovitz			211034-C			
Checked by	L.Breda	File	211034-c.des	Date	09.02.2004	Scale	1:20
Approved by	L.Breda			Sheet		1 of 1	



Designer	L.Adrovitz	Title ZMX^{WHT} LevelingPoints	Doc.Number 411039-B		
Drawnby	L.Adrovitz				
Checkedby	L. Breda				
Approvedby	L. Breda	File: 411039-b.des	Date: 09.27.2003	Scale: 1:20	Sheet 1 of 1



Designer	L. Adrovitz	Title ZMX^{WHT} Parts Definition	Doc. Number		
Drawn by	L. Adrovitz		411038-C		
Checked by	L. Breda		File: 411038-c.des	Date: 11.19.2003	
Approved by	L. Breda			Sheet 1 of 1	